

BASKETBALL
 4-FACE SCBD,
 DUAL SCBDS, SIX
 L.R.C., E.O.P.
 &
 CSS-3 SYSTEM



NEVCO, INC.
 GREENVILLE, ILLINOIS 62246

DRAWING NO. C10118

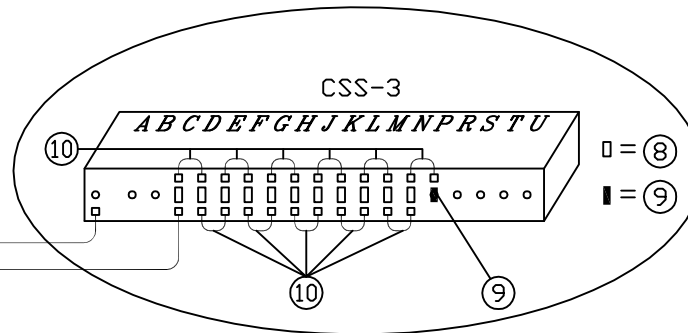
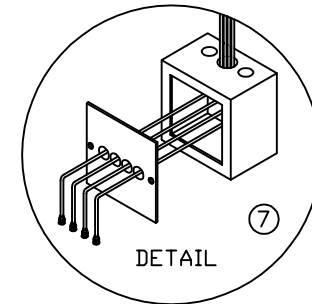
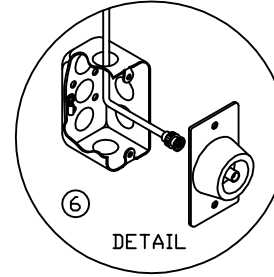
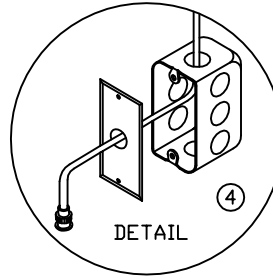
DRAWN BMK

DATE 08/11/10

SHEET 1 OF 2

NOTES

- ② CONTROL CABLE RG-58/U, 1/4" DIAMETER. IF ANY CABLE LENGTH EXCEEDS 500' CONTACT THE NEVCO FACTORY. CABLE VOLTAGE IS 5 VOLTS. FOR CONDUIT INSTALLATION: 1/2" CONDUIT REQUIRED
- ③ FOR ELECTRICAL POWER REQUIREMENTS OF EACH ITEM REFER TO OTHER DRAWINGS OR SPECIFICATIONS.
- ④ WALL BOX 4' x 2 1/8' x 2 1/8' W/COVER
- ⑤ CONTROL CABLE 25' W/CONNECTORS
- ⑥ WALL BOX 4' x 2 1/8' x 2 1/8' W/COVER
- ⑦ WALL BOX 6' x 6' x 4' W/6" X 6" COVER
- ⑧ "T" CONNECTOR
- ⑨ TERMINATED "T" CONNECTOR
- ⑩ JUMPER CABLE 15' W/CONNECTOR
- ⑪ 25' 2 CONDUCTOR CABLE
- ⑫ 2-GANG FLOOR BOX
- ⑬ 2-GANG FLOOR BOX
- ⑭ 2-GANG FLOOR BOX
- 15. REFER TO DRAWING C5824 FOR FLOOR BOX DETAILS.



* C, D, E, F, G, H,
 ** J, K, L, M, N, P


* PRIMARY CONTROL POINT
 ** ALTERNATE CONTROL POINT

EXTRA ITEMS TO ORDER FROM NEVCO

- ② 009-0084 (20 EA.) LENGTHS REQUIRED
- ⑧ 010-0079 (11 EA.)
- ⑨ 210-0007 (1 EA.)
- ⑩ 603-1818 (11 EA.)
- ⑫ 239-0019 (2 EA.)
- ⑬ 239-0066 (2 EA.)
- ⑭ 239-0067 (2 EA.)
- 210-0008 (12 EA.) 2-WIRE (BNC) CONNECTOR

CERTAIN CONNECTORS, BOXES AND CABLES ARE FURNISHED WITH THE EQUIPMENT SHOWN. ONLY THE "EXTRA ITEMS" ARE NEEDED TO COMPLETE THIS SYSTEM.

NEVCO MANUFACTURES OTHER CSS MODELS THAT MAY MEET YOUR FUTURE NEEDS, CONTACT THE FACTORY OR YOUR REPRESENTATIVE.

BASKETBALL 4-FACE SCBD, DUAL SCBDS, SIX L.R.C., E.O.P. W/ATL. CTRL. PTS. & CSS-3 SYSTEM		 NEVCO, INC. GREENVILLE, ILLINOIS 62246
DRAWN BMK	DATE 08/11/10	
		SHEET 2 OF 2